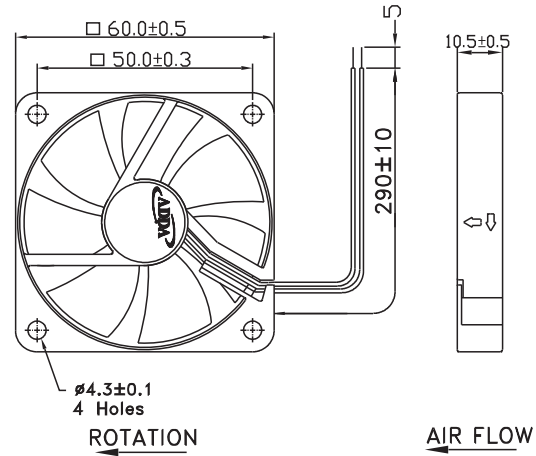




AD6010(7) SERIES

External Dimensions



Frame:Plastic(UL:94V-0)
 Impeller:Plastic(UL:94V-0)
 Lead wire:UL1007AWG26

Specifications(Nominal)

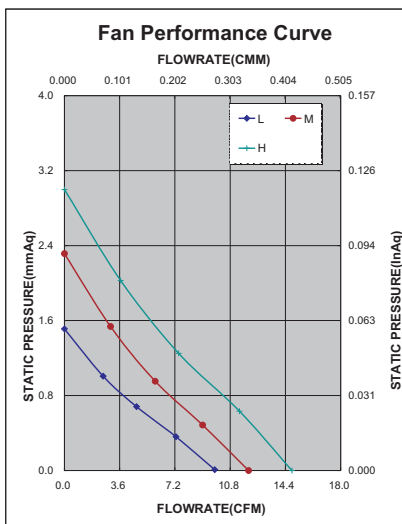
*Noise is measured at the distance of one (1) meter from the axis of intake.

Bearing type: ⊙=Ball ※=Sleeve ○=1B1S ●=Hypro bearing

| Frame size (mm) | Model No. | Bearing System Type | Rated Voltage (VDC) | Current (A) | Power (W) | Rated Speed (rpm) | Maximum AirFlow (CMM) | Maximum AirFlow (CFM) | Maximum Pressure (InAq) | Maximum Pressure (mmAq) | *Noise Level (dB/A) | Weight (g) |
|-----------------|-----------------|---------------------|---------------------|-------------|-----------|-------------------|-----------------------|-----------------------|-------------------------|-------------------------|---------------------|------------|
| 60x60x10 | AD0605LB-G70(T) | ⊙ ※ ○ ● | 5 | 0.11 | 0.55 | 3500 | 0.276 | 9.756 | 0.059 | 1.510 | 23.0 | 23.0 |
| | AD0605MB-G70(T) | ⊙ ※ ○ ● | 5 | 0.13 | 0.65 | 4200 | 0.341 | 12.000 | 0.090 | 2.286 | 28.0 | |
| | AD0612LB-G70(T) | ⊙ ※ ○ ● | 12 | 0.09 | 1.08 | 3500 | 0.276 | 9.756 | 0.059 | 1.510 | 23.0 | |
| | AD0612MB-G70(T) | ⊙ ※ ○ ● | 12 | 0.11 | 1.32 | 4200 | 0.341 | 12.000 | 0.090 | 2.286 | 28.0 | |
| | AD0612HB-G70(T) | ⊙ ※ ○ ● | 12 | 0.12 | 1.44 | 4900 | 0.419 | 14.820 | 0.118 | 2.997 | 35.0 | |

Specifications subject to change without notice.

The specification for bearing type is for reference only , for more bearing types information, please contact with your ADDA sales representative, thanks!!
 (網頁上呈現產品軸承資訊均以2Ball為主，若需其他產品資訊請聯絡您在ADDA的業務代表，謝謝!!)



*Motor protective circuit and third lead wire functions

| | | | | | | | | | | |
|---|---|---|---|---|---|---|---|---|---|---|
| 0 | 1 | 2 | 3 | 4 | 6 | 7 | 8 | 9 | A | B |
| ✓ | | | | | ✓ | | | | | |

*Safety approvals

| | | | | |
|---|---|--|---|---|
| | | | | |
| ✓ | ✓ | | ✓ | ✓ |